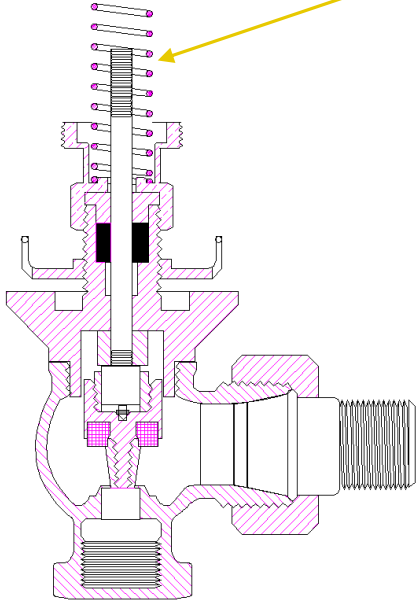


Spartan AV40 Retrofit Kit for V3752 JCI Valve.

Allows compatibility with Spartan:

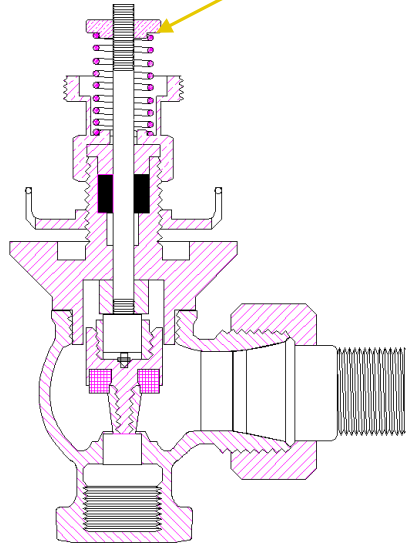
- ME4145H – Floating signal – 24VAc – 300N Force – 7mm Travel
- ME4345H – Modulating signal 0/2-10VDC – 24VAC – 300N Force - 7 mm Travel
- ME8390-01 – Wireless (EnOcean) Proportional Control – 24VAC – 300N Force - 7mm travel

Install supplied spring inside AV40 bell.



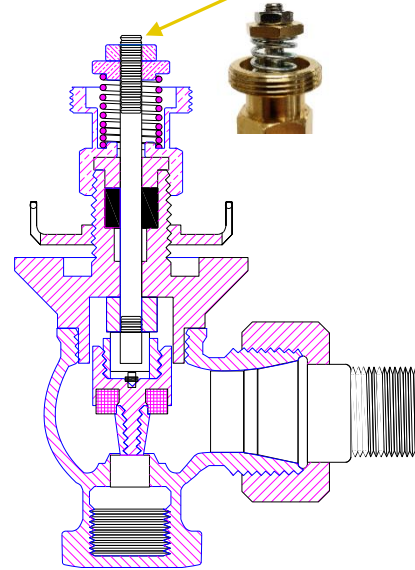
STEP#5

Install supplied top nut to retain spring in position
We recommend using SPTAV40A tool



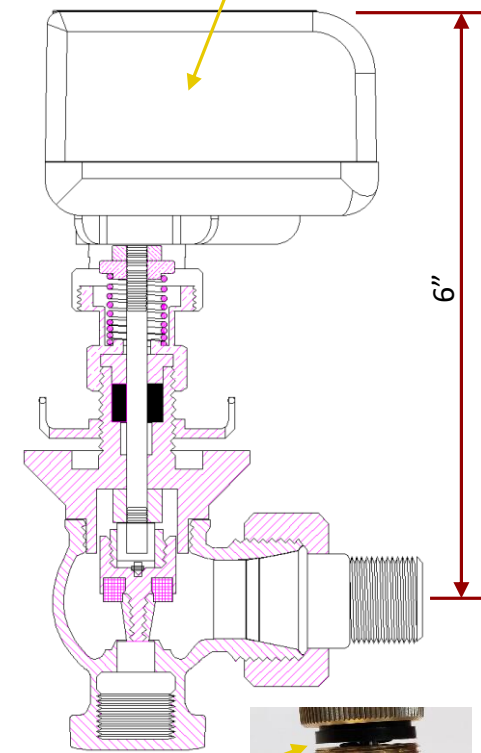
STEP#6

Install supplied locking nut against retaining nut. Adjust both nuts to keep 2-3 threads visible



STEP#7

Install ME8390-01 Wireless communicating Enocan based actuator.



STEP#8

ESTIMATED TIME FOR REPLACEMENT:

Once the old pneumatic is removed an estimated 10-15 minutes will be required.

A gap of 0.090" will need to be pressed to allow installation of the actuator. It will not affect flow of the valve, since it will be in the straight section of the inner plunger.





1- Install Spring



2- Squeeze spring in place



3- Install brass screw



4- Install stainless steel nut and lock in place.
Remove tool by pulling toward you.