

Indestructible Thermostat Protectors ATGL and ATGS

Features & Options

- Prevents Tampering, Damage and Unauthorized Adjustment
- Exceptional Airflow for Proper Thermostat Operation
- Made from Thick, Durable Polycarbonate
- Key Lock Protected
- Low Profile, Compact Design
- Two Sizes to Fit Most Thermostats
- Horizontal or Vertical Mounting with Hardware Included

The Spartan Guard prevents tampering, physical damage and unauthorized adjustment of thermostats. The attractive, low-profile design is available in two sizes to fit most thermostats. It is made of thick, durable polycarbonate and features exceptional airflow, key lock protection, horizontal or vertical mounting and easy installation with hardware included.



ATGL Guard Mounted Over a Thermostat

PART NUMBERS

- ATGL** Larger Guard Thermostat Protector
- ATGS** Smaller Guard Thermostat Protector
- ATK1687**..... Replacement Key for ATGL and ATGS

Specifications

Material: Polycarbonate

Material Rating: UL 94, V-0

The ATGL guard fits these common thermostats

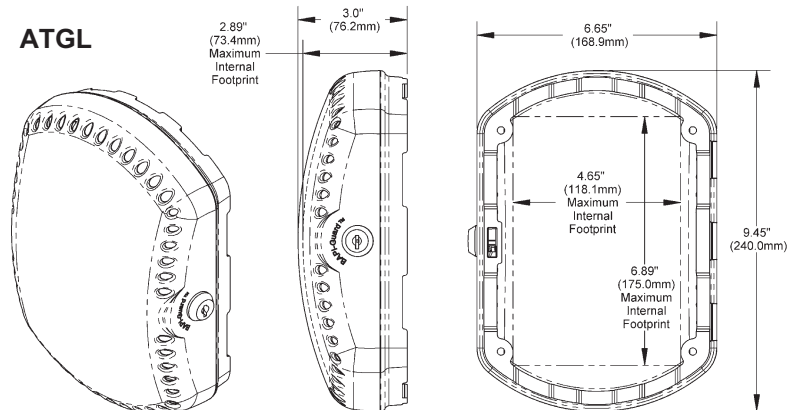
Spartan TE110 thru TE154 Series
Honeywell T7300, T7350, T7560,
T7770 and T7790 Series
Johnson Controls Metastat

The ATGS guard fits these common thermostats

Delta Style Enclosure
Powers & PreCon
Automated Logic RS Series
York Zone Sensor
Invensys MN series

If you have a question about whether the ATGS Guard or ATGL Guard will fit a specific thermostat, please call Spartan.

ATGL



ATGS

