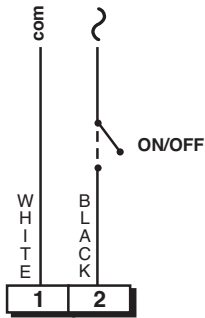


Wiring Diagram Electric Actuators

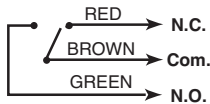
ME-4530/31/32 ME-4430/31/32

TWO POSITION
ON / OFF

24 / 110 / 220 VAC



6 WATTS



Auxiliary Switch Option
(indicate "S")

ME4430 S / ME4530 S (24 VAC)

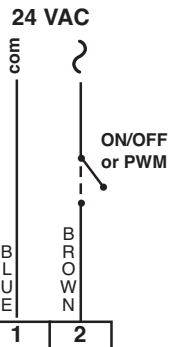
ME4431 S / ME4531 S / (110 VAC)

ME4432 S / ME4532 S / (220 VAC)

NOTE: Auxiliary switch rated
for 5A 250VAC. This diagram
shows the 'Power Fail Position'.

ME-1605 ME-1705

TWO POSITION ON/OFF
OR
TIME PROPORTIONING

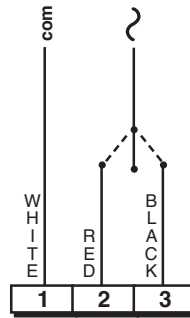


3.0 WATTS Running
1.3 WATTS Holding

ME-4140

TRI-STATE
(fail last position)

24 VAC

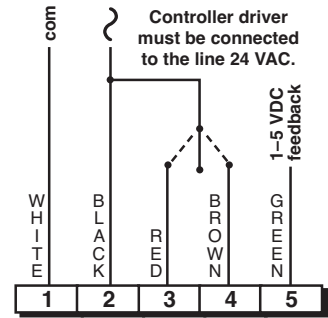


RETURN DRIVE
0.8 WATTS

ME-4640

TRI-STATE
(spring return)

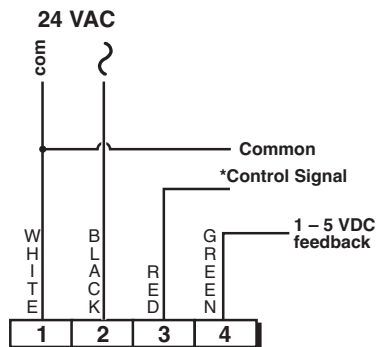
24 VAC



6 WATTS
Requires shared common connections,
(neutral, white) with the controller.

ME-4240 FAIL LAST POSITION ME-4740 SPRING RETURN

PWM CONTROL

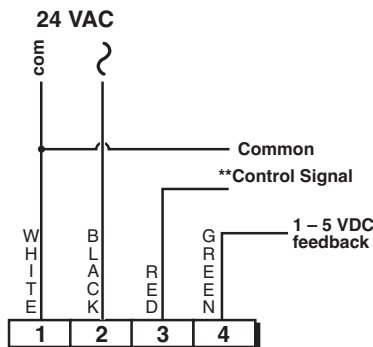


6 WATTS

***Control Signal:**
Pulse Width 0.02-5 sec.
24VAC pulse. The
minimum off pulse
required is 125 msecs.

ME-4340 0/2-10VDC ME-4344 0-5/5-10VDC

MODULATING FAIL LAST POSITION

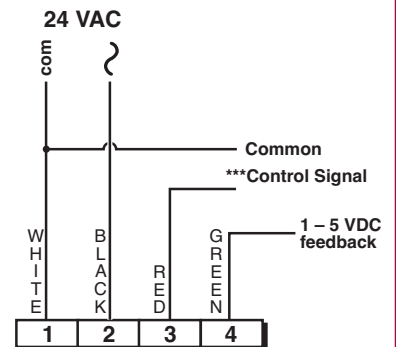


6 WATTS

****Control Signal:**
Proportional 0/2-10 VDC,
0-5/5-10 VDC
4-20mA use a 500 ohm
1% 1/4 watt resistor.
D/A or R/A option jumper
selectable.

ME-4840 0/2-10VDC SPRING OPEN ME-4844 0-5/5-10VDC SPRING OPEN ME-4940 0/2-10VDC SPRING CLOSED ME-4944 0-5/5-10VDC SPRING CLOSED

MODULATING SPRING RETURN
UP OPEN OR DOWN CLOSED



6 WATTS

*****Control Signal:**
Proportional 0/2-10 VDC,
0-5/5-10 VDC
4-20mA
D/A or R/A option jumper
selectable.