



TE8200 Transmitter Installation Instructions

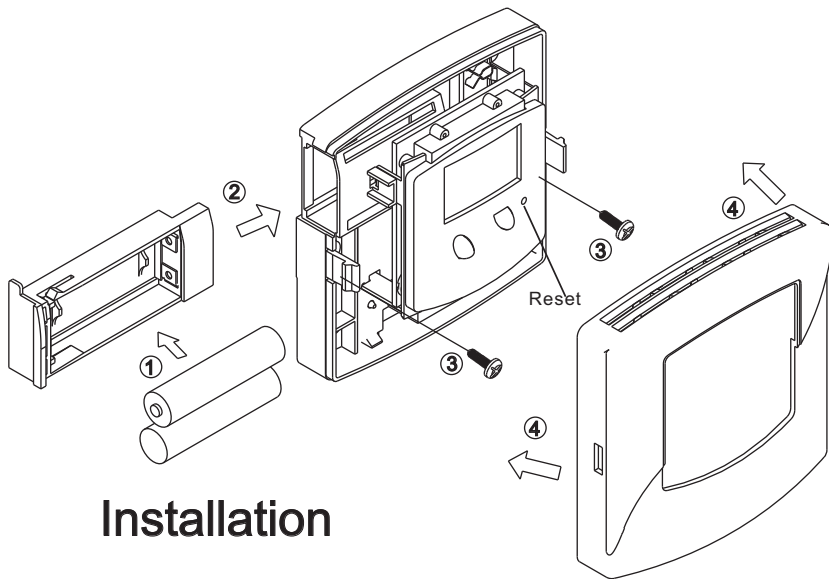
Caution: It is highly recommended that the installation procedure be conducted by trained personnel.

1) Installation Location:

The transmitter should be mounted on an inside wall 1.5m (5 feet) above the floor at position where it is easily affected by changes of the room temperature with freely circulated air. Prevent direct exposure to sunlight and moisture. Do not place the transmitter where air circulation is low or where the temperature changes are too sudden (ie: near a door) or near heat/cool generating sources.

2) Mounting:

Using the screws and wall anchors provided, mount the TE8200 through the back wall key holes provided and reinstall the cover.

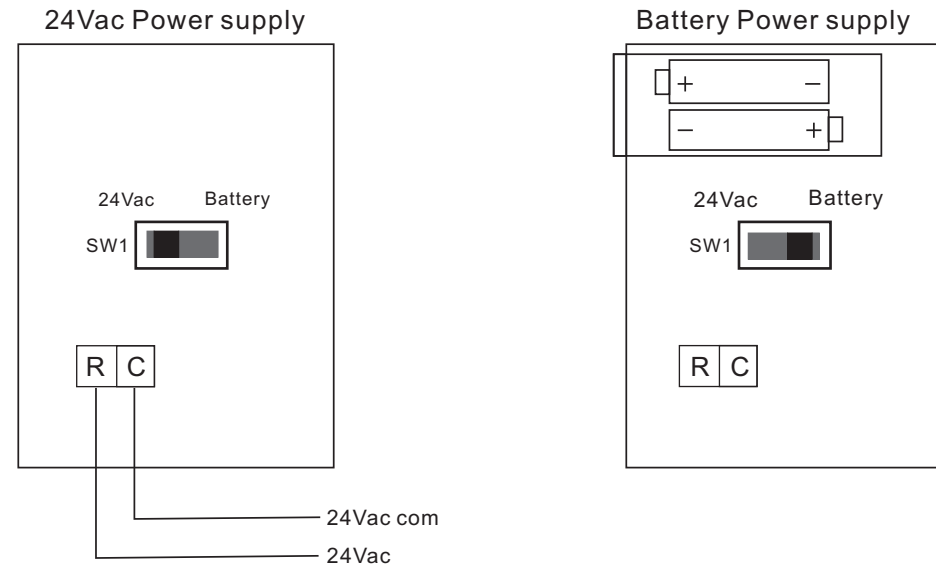


3) Battery Power Supply:

Switch SW1 to right side for a battery power supply, pull out the battery drawer and place the new batteries according to the markings in the battery drawer. Slide the battery drawer back to its position and check if the thermostat works properly, if not press reset if necessary. When battery is used the LCD display backlit feature is disabled.

4) 24Vac Power Supply:

Switch SW1 to left side for 24Vac power supply. Connect 24Vac power and check if the thermostat works properly, if not press reset if necessary. When 24Vac is used the LCD display backlit feature is enabled.



5) Addressing:

Set the address switches to the same setting as the targeted receiving unit.

6) Testing:

Set the set point to the desired temperature and let the unit automatically adjust it self within 5 minutes.