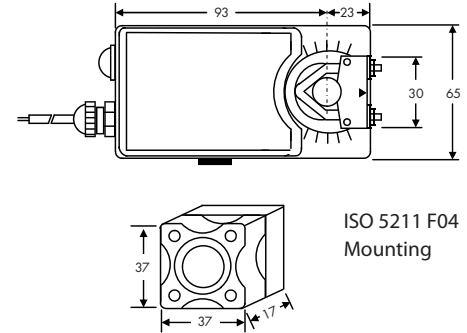
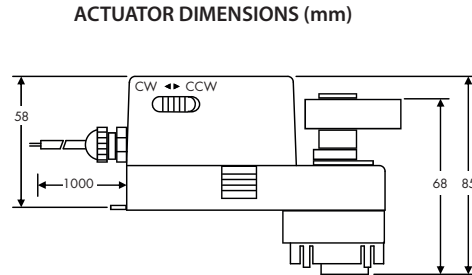


## STANDARD MODULATING CONTROL ACTUATORS

**MS-5310-OE, 2 Nm (18in/lbs) • MS-5320-OE, 5 Nm (44in/lbs)**

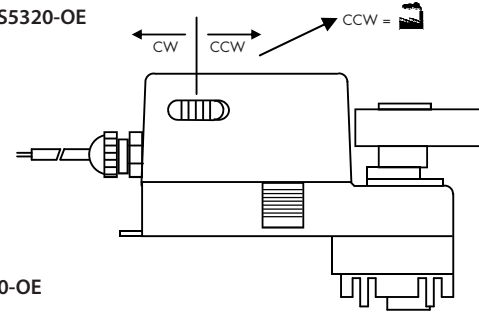
Standard rotary valve actuators are especially designed and produced for HVAC system – and fan coil applications. Our wide range of standard rotary valve actuators have been developed to operate and position 2 way, 3 way and 6 port ball valves of different sizes.



### Changing direction of rotation MS5310-OE and MS5320-OE

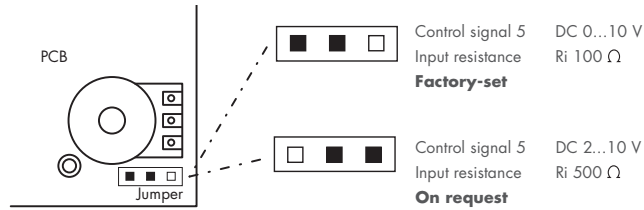
Factory-set CCW!

The direction of rotation can be changed by pushing the CW/CCW switch on the actuator's housing.



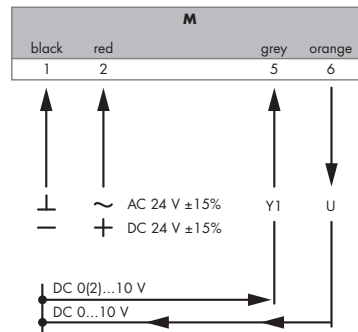
TECHNICAL SPECIFICATIONS	
MS5310-OE	2 Nm (18in/lbs)
MS5320-OE	5 Nm (44in/lbs)
Shaft dimensions	9 mm square fix
Power supply	AC 24V DC 24V ± 15%
Frequency	50 - 60 Hz
Control signal	(Input) DC 0(2)...10 V Y1
Input resistance	0-10V 100ohm 2-10V 500ohm
Position signal	(Output) DC 0...10 V μ
Power consumption	
- Operating	0.66W / 0.95 VA
- End position	1.1 W / 1.7 VA
For wire sizing	9.8 W / 14 VA
Angle of rotation	max. 90° (95° mechanical)
Angle of limiting	mechanical end stop
Weight	< 0.8 Kg
Life cycle	60'000 rotation
Sound level motor and EFS	42 dB (A)
IP protection	IP 54 (protected against dust & splash water)
Operating temperature	-20°...+50° C / IEC 721-3-3
Non-operating temperature	-30°...+80° C / IEC 721-3-2
Ambient humidity	5%...95% rH non condensing
Maintenance	Maintenance free
Mode of operation	Type I / EN 60730-1
EMC	CE according to 2004/108 / EC

### Jumper setting for control signal selection MS5320-OE

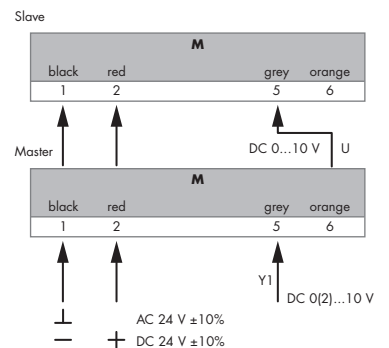


### Wiring Diagrams

Wiring diagram MS5310-OE / MS5320-OE  
Power supply AC / DC 24V



### Wiring diagram MS5310-OE / MS5320-OE Parallel connection



Actuators operate in parallel (max. 5 actuators), the output signal U = DC 0...10 V (terminal 6) of the master actuator must be connected to terminal 5 of the next slave actuator. The power consumption and distance between master and slave must be observed

### MODEL SELECTION TABLE

Torque	Running time	Power supply	Auxiliary Switch	Model / Type
2 Nm (18in/lbs)	60...90 sec	AC/DC 24V ± 15%	Optional	MS5310-OE
5 Nm (44in/lbs)	70...100 sec	AC/DC 24V ± 15%	Optional	MS5320-OE