

# ME-5430, ME-5630, ME5830

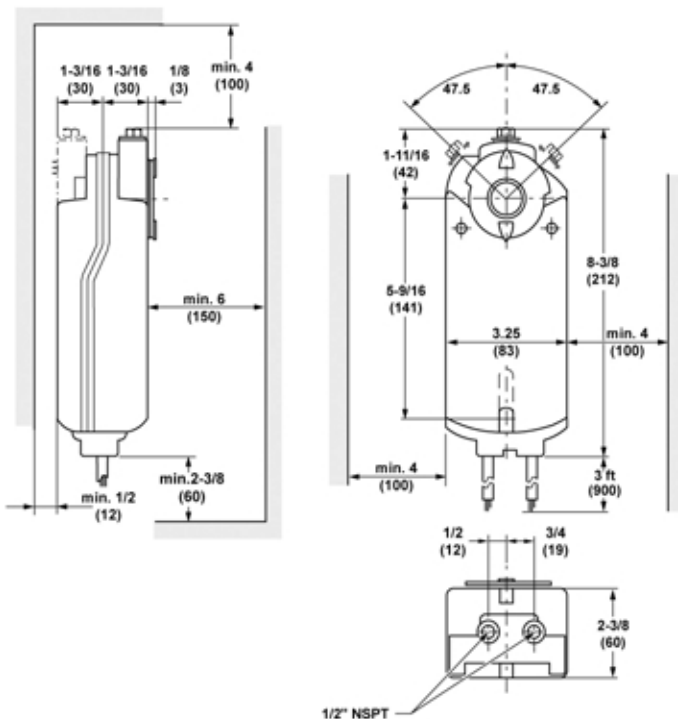
## Spring Return, Direct-Coupled Electronic Actuators

62 lb.-in.

24 Vac/dc and 120 Vac  
Modulating  
2-position/3-position



### Dimensions



Dimensions shown in inches (mm).

### Specifications

Torque .....	62 lb.-in. (7 Nm) running and spring return min.
Runtime for 90° .....	90 sec. operating, 15 sec. typical (<60 sec. max at -25°F)
Frequency .....	50/60 Hz
Power consumption .....	24 Vac/dc
Running .....	5 VA/3.5W dc
Holding .....	4 VA/3W dc
Power consumption .....	120 Vac
Running and Holding .....	≤ 7 VA/5 W
Equipment rating (24 Vac) .....	Class 2 per UL/CSA
Angle of rotation .....	90° nominal, 95° max.
Shaft dimensions .....	1/4 to 3/4-in. (6.4 to 20.5 mm) Dia. ● 1/4 to 1/2-in. (6.4 to 13 mm) Sq. ■ 1-in. (25.4 mm) min. length
Operating temperature .....	-25 to +130°F (-32 to +55°C)
Storage temperature .....	-25 to +158°F (-32 to +70°C)
Ambient humidity .....	95% RH, non-condensing
Enclosure .....	NEMA 1
Pre-cabled connection .....	18 AWG, 3 ft. (0.9 m) long
Agency listings .....	UL60730 (replacing UL873) C-UL C22.2 No. 24-93
Material .....	Die cast aluminum alloy
Gear Lubrication .....	Silicone free
Dimensions .....	8-3/8" H x 3-1/4" W x 2-2/3" D (212 mm H x 83 mm W x 68 mm D)
Weight .....	2.9 lbs. (1.3 kg)