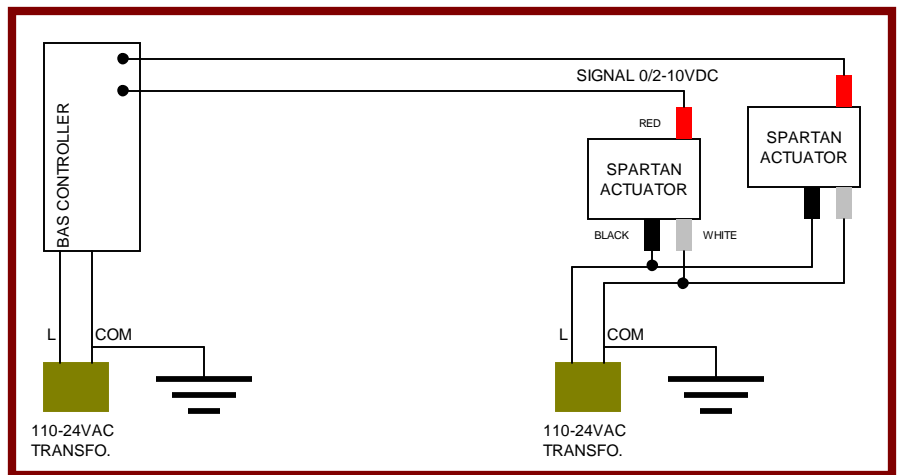
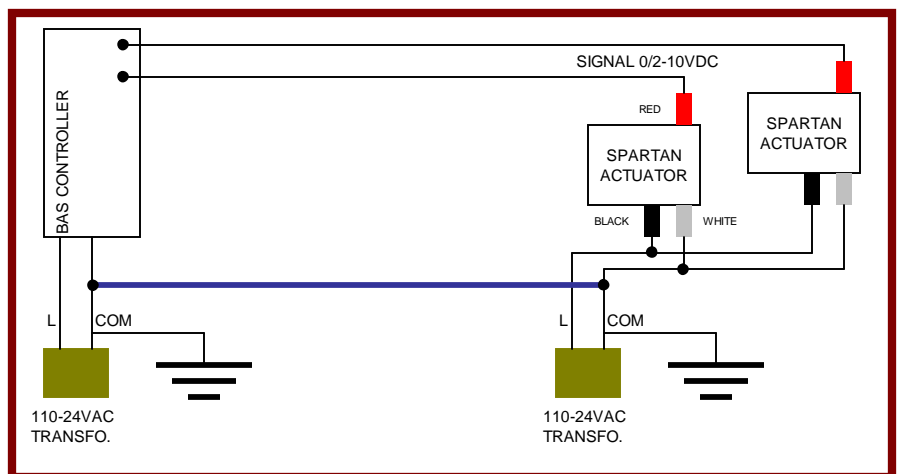


C



D



A

Schematic A is OK

B

Schematic B is WRONG.

The common ground is inverted on one of the actuator. It could bring erratic positioning of the wrongly wired actuator and also other actuators on the same line.

C

Schematic C is WRONG.

This is a two transformers installation. Usually used when BAS controller is far from the actuators. The problem is that common is grounded, but the electrical ground level can be offset or fluctuates. It would bring erratic positioning of the actuator.

D

Schematic D is OK.

To bring the ground electrical differential to the same level a hard connection should be made between the common of all electrical transformer. Ground to pipe is not recommended.