

AV15 Control Valve Linkage

General Information

AV15 control valve linkage can be mounted on 2 way or 3 way valve bodies in combination with many rotary type actuators. See separate valve body data sheets.

- VALVE BODIES** 2-way single seat
GLOBE TYPE: 2-way double seat pressure balanced
 2-way single seat diaphragm pressure balanced
 3-way mixing
 3-way diverting

Actuator Specifications

Electric/electronic gear motor with manual override lever and bold valve position indicator.

- Fail open, fail closed, or fail last position
- 24VAC low power consumption (15 - 19VA) suitable for Class II wiring.
- Numerous input signals (see electric actuator specifications)

Valve Actuators

Part #	Torque in/lb - Nm	Input Signal	Resolution	Fail Pos'n.
ME5140	132 - 15	Floating	-	FLP
ME5340	132 - 15	0-10VDC	100:1	FLP
ME5140L	221 - 25	Floating	-	FLP
ME5340L	221 - 25	0-10VDC	100:1	FLP
ME5150	310 - 35	Floating	-	FLP
ME5350	310 - 35	0-10VDC	100:1	FLP
ME5350-ON	360 - 40	0/2-10VDC	100:1	FLP
ME5440	160 - 18	2 position	-	Spring return
ME5640	160 - 18	Floating	-	Spring return
ME5840	160 - 18	0-10VDC	100:1	Spring return
ME5850-ON	360 - 40	0/2-10VDC 4-20 mA	100:1	Capacitor Return

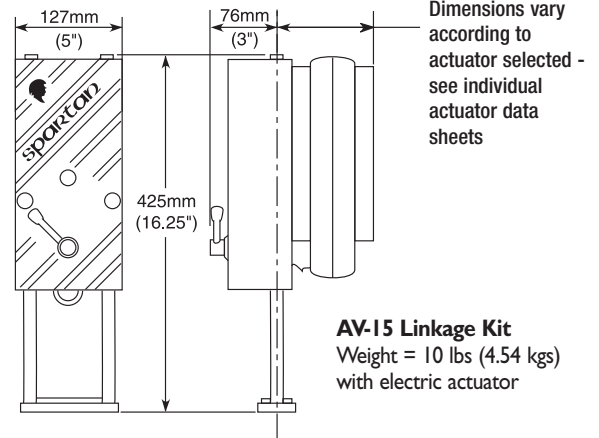
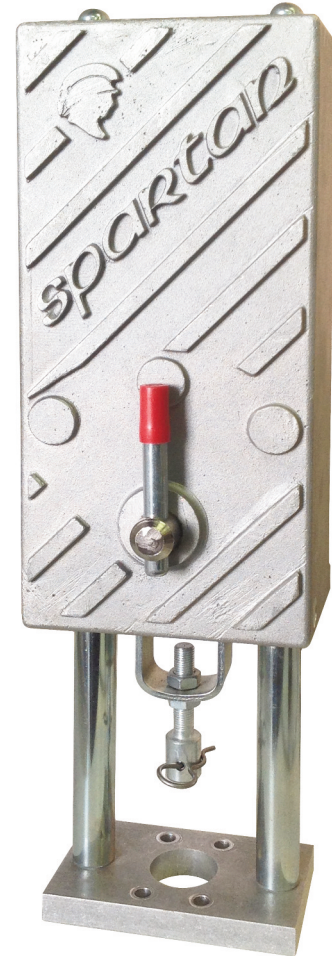
Note: All valve actuators are available in NEMA4/IP66 enclosures. Amend the last digit in the part number to 4 ie ME5844.

AV-15 Linkage Kits

AV-15 Series - Robust, all-metal construction, up and down motion cam mechanism generating increased force and better controllability at the end of the travel.

Linkage kit available for different valve body manufacturers. Contact Spartan for further details.

Linkage Part No	Type	Travel	
		mm	Inches
AV15Q	Q	19	0.75
AV15L	L	21	0.83
AV15K	K	24	0.94
AV15T	T	27	1.06
AV15N	N	30	1.18
AV15M	M	34	1.34
AV15P	P	37	1.46
AV15O	O	40	1.57
AV15R	R	47	1.85
AV15S	S	52	2.05



Installation Instructions

All 2 and 3-way valve bodies can **not** be installed with the linkage in the horizontal position. Life expectancy of packing and inner plunger will be reduced.

