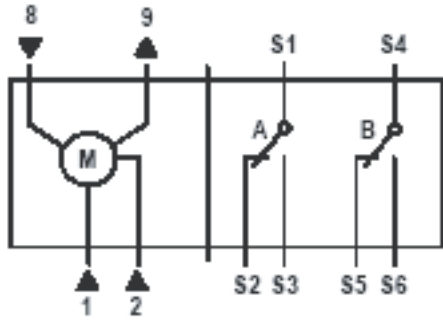
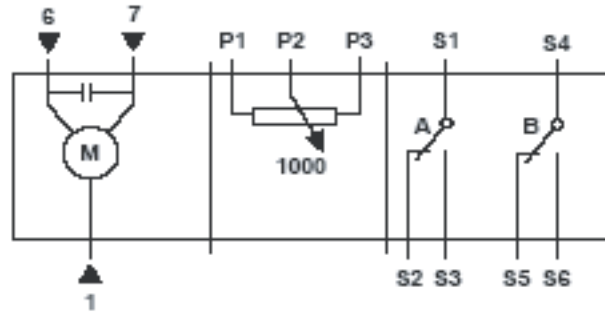


ME5000 Series Wiring Diagram

Non - Spring Return

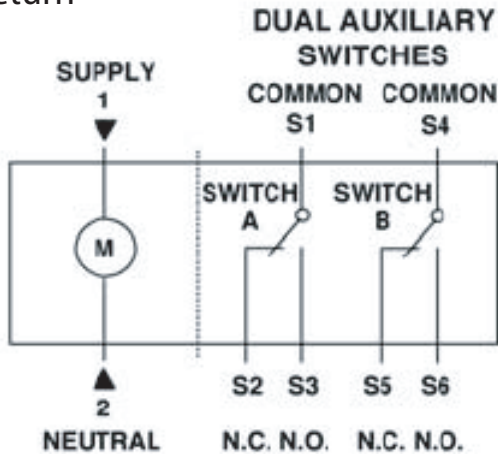


0 to 10 Vdc, 24 Vac.

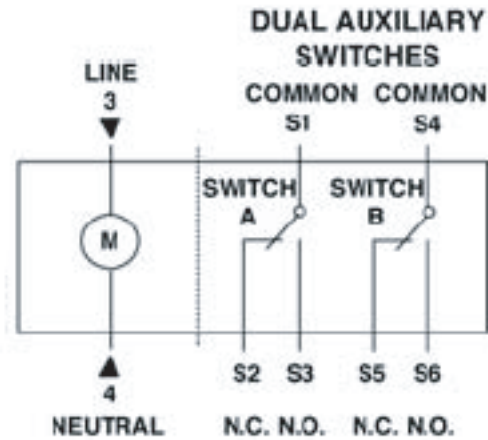


Three-Position, 24 Vac.

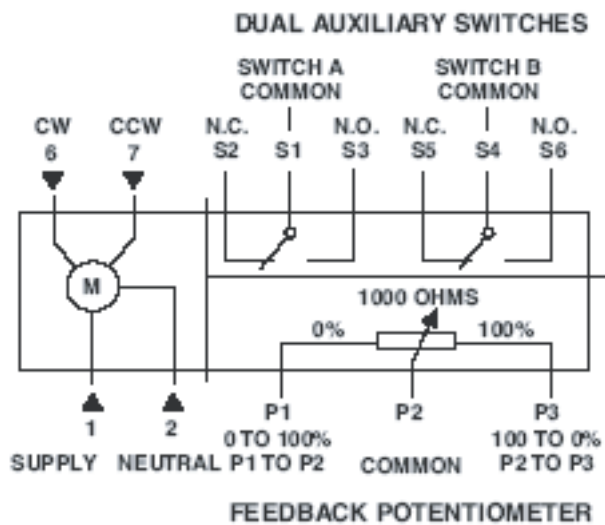
Spring Return



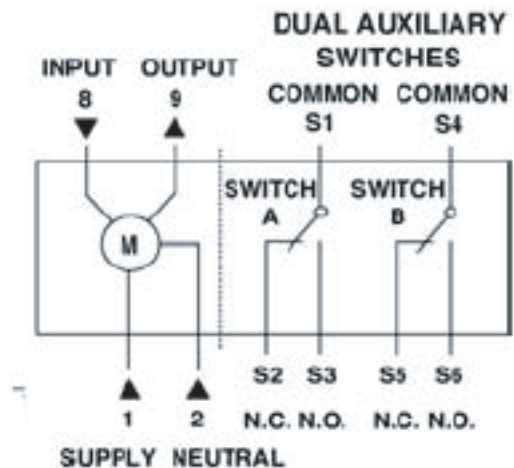
Two position, 24Vac/dc



Two position, 120Vac



Three position, 24Vac/dc



Mod. 0-10 Vdc, 24Vac or 2-10Vdc, 24Vac/dc