

The SV601 series 6 port ball valve is a combination valve body casting for connecting heating and cooling 4 pipe system into a single coil. It replaces 4 2-way valves and 4 actuators thus saving cost of material, installation and 2 data points. **The valve body design allows a leak free separation from a heating and cooling system and prevents mixture of return flow.** The standard ISO mounting pad allows a usage of 0-10Vdc proportional MS5320-OE or a 3 point floating MS5120-OE actuator.

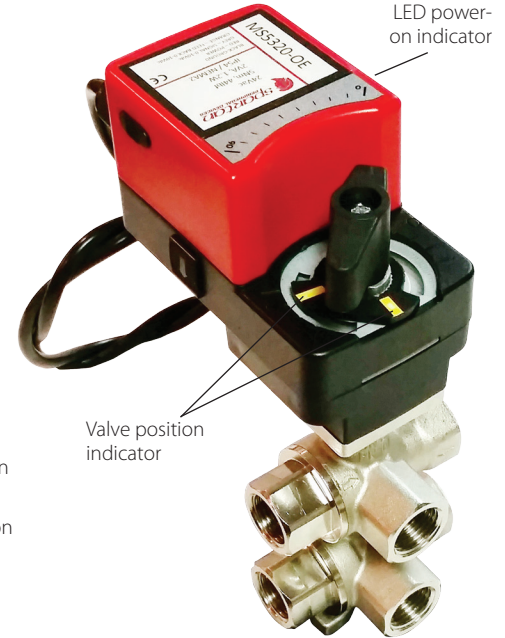
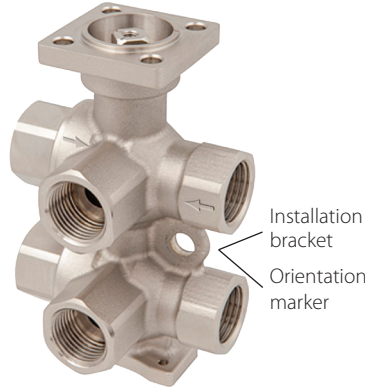
GENERAL SPECIFICATIONS :

Valve Body:

Body Material:Forged Brass
 Pressure Rating:.....Max 16 Bar - 235 PSI
 Maximum Δ Pressure:.....50 PSI (3.50 Bar)
 Ball and Stem:Nickel Plated
 Travel:30° Heat, 30° off, 30° Cooling
 Flow Characteristics:.....Linear
 Water Temp Max. 100°C (212°F), Min 5°C (45°F)

Actuator:

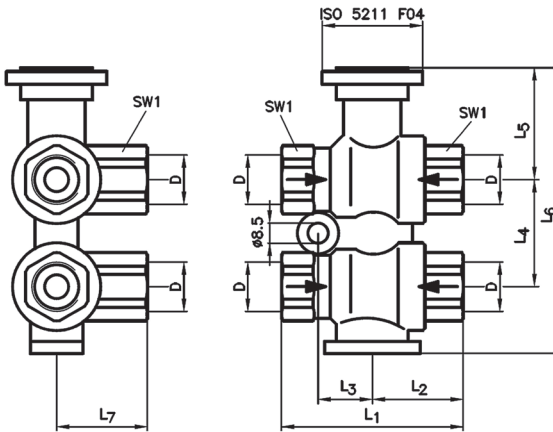
24VAC/DC ±15%, 50/60Hz, 0.66W
 Operating Temp. -20°C to +50°C (-4°F to +122°F)
 44in/lbs torque, IP54, sound level 42dB
MS5320-OE - modulating FLP 0/2-10VDC
MS5120-OE - 3 point floating FLP



VALVE BODY DIMENSIONS AND FLOW COEFFICIENTS

Part No	Size	Cv	Size	Kv	D	L1	L2	L3	L4	L5	L6	L7	SW1
SV601-12	1/2"	1.55	15mm	1.34	19/32 (15)	3 (76)	1 1/2 (38)	13/16 (20)	1 3/4 (45)	1 7/8 (47)	4 3/4 (120)	1 3/8 (35)	1 (26)
SV601-34	3/4"	3.00	20mm	2.58	13/16 (20)	3 15/16 (100)	2 (50)	1 (26)	2 2/16 (59)	2 7/8 (54)	5 13/16 (148)	1 11/16 (43)	1 1/16 (30)

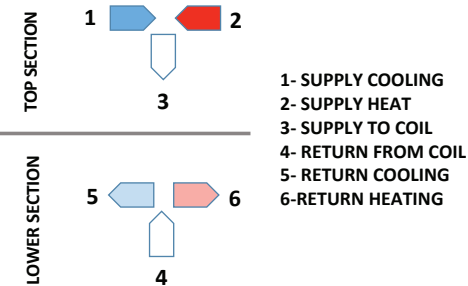
All dimensions in inches (and millimetres)



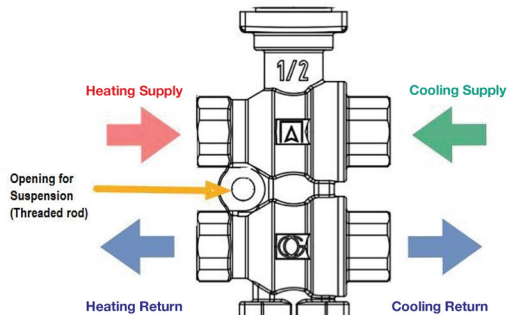
CV CODE SELECTION FOR HEATING OR COOLING INLET PORT TO BE USED IN THE PART NUMBER (First X = inlet cooling, Second X = inlet heating)

Code No	1	2	3	4	5	6	7	8
CV for 1/2" Valve	0.19	0.37	0.4	0.73	0.92	1.1	1.2	1.55
CV for 3/4" Valve	1.28	1.47	1.65	1.84	2.02	2.39	2.76	3.00

FLOW CHARACTERISTICS



- 1- SUPPLY COOLING
- 2- SUPPLY HEAT
- 3- SUPPLY TO COIL
- 4- RETURN FROM COIL
- 5- RETURN COOLING
- 6- RETURN HEATING



HOW TO SPECIFY

Choose from the four options below and substitute the two Xs with a code number for your chosen CV value from the chart above. First X = inlet cooling. Second X = inlet heating

- 1/2" 6 port ball valve with 0/2-10VDC modulating FLP actuatorSV601-12-XX-MS5320-OE
- 1/2" 6 port ball valve with 3 point floating FLP actuatorSV601-12-XX-MS5120-OE
- 3/4" 6 port ball valve with 0/2-10VDC modulating FLP actuatorSV601-34-XX-MS5320-OE
- 3/4" 6 port ball valve with 3 point floating FLP actuatorSV601-34-XX-MS5120-OE

