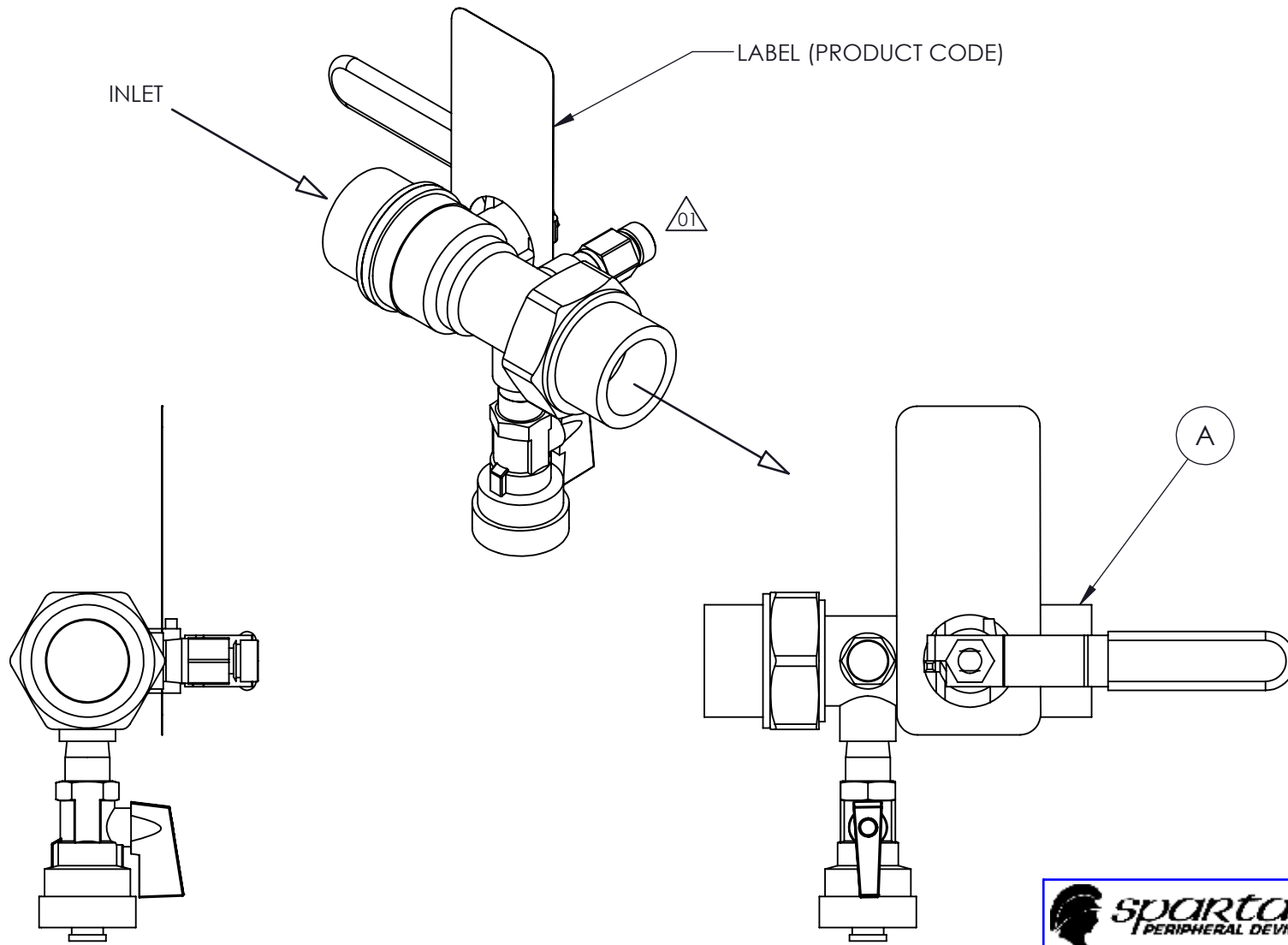


ITEM	QTY.	PART No.	DESCRIPTION
A	1	—	3/4' FNPTxFNPT MANUAL SHUT OFF COMBINATION BALL VALVE WITH DRAIN



spartan
PERIPHERAL DEVICES

187 JOSEPH CARRIER, VAUDREUIL, QUEBEC.
CANADA J7V 5V5
TEL: (450) 424-6067 / FAX: (450) 424-6071
WWW.SPARTAN-PD.COM

THE DESIGN REPRESENTED IN THIS DRAWING IS THE PROPERTY OF SPARTAN P.D. ANY REPRODUCTION IN PART OR AS A WHOLE WITHOUT THE WRITTEN PERMISSION OF SPARTAN P.D. IS PROHIBITED.

DIMENSIONS ARE IN INCHES	REMOVE BURRS BREAK EDGES	VOLUME 149.425.03 CC
TOLERANCES:	ROUGHNESS $\sqrt{\text{V}}$ UNLESS OTHERWISE SPECIFIED	WEIGHT 149.43lb
DECIMAL: X.X ± .03		
X.XX ± .01		
X.XXX ± .005		

DWG BY M.Dc.P.	DATE 2018-Jan-11	CHECKED BY A.S.L.	DATE 2018-Jan-11	APPROVED BY A.S.L.	DATE 2018-Jan-11	SCALE 1:2
TITLE: SPARTAN KIT SECTION 3/4" - ISOLATION VALVE WITH DRAIN						SIZE A
SHEET # 1 OF 1			DWG No SK0013			REV. 01

NO.	DATE	REVISION	BY	APP.