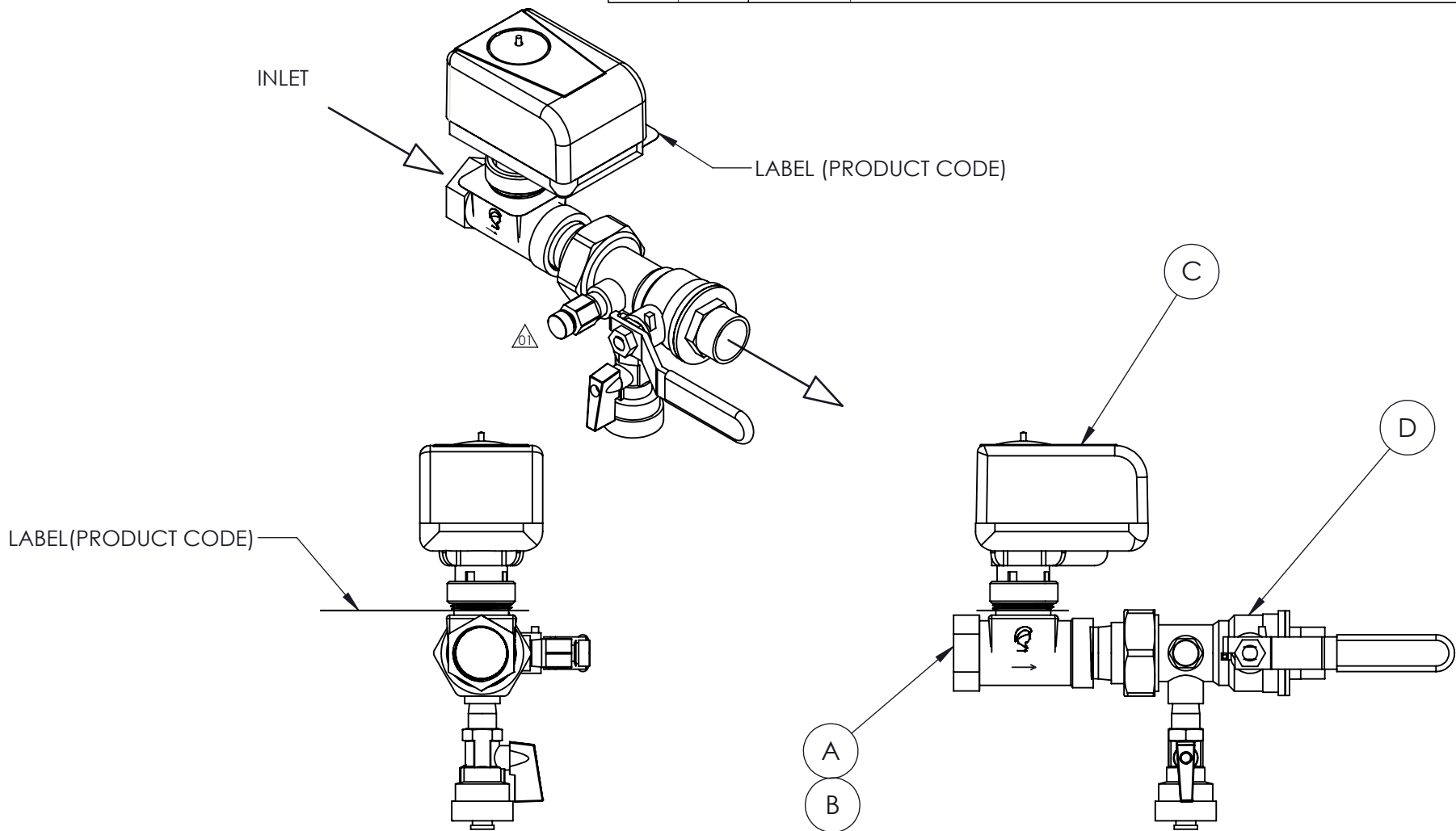


ITEM	QTY	PART No.	DESCRIPTION
A	1	V243-34N	V243-34N - 3/4" - 2 WAY - STRAIGHT- FNPT X FNPT VALVE BODY - NPT THREADS -
B	1	EB3.5	EB3.5 - REPLACEABLE HYDROBALANCED CARTRIDGE FOR HIGH CLOSEOFF FOR 1/2" AND 3/4"
C	1	ME4340	ME4340 - 24VAC- 2-10 VDC- MODULATING- NON-SPRING RETURN- ELECTRIC ACTUATOR
D	1	-----	3/4" MNPTxFNPT- MANUAL SHUT OFF COMBINATION BALL VALVE WITH DRAIN




 187 JOSEPH CARRIER, VAUDREUIL, QUEBEC.
 CANADA J7V 5V5
 TEL: (450) 424-6067 / FAX: (450) 424-6071
 WWW.SPARTAN-PD.COM

THE DESIGN REPRESENTED IN THIS DRAWING IS THE PROPERTY OF SPARTAN P.D.
 ANY REPRODUCTION IN PART OR AS A WHOLE WITHOUT THE WRITTEN PERMISSION
 OF SPARTAN P.D. IS PROHIBITED.

DIMENSIONS ARE IN INCHES		REMOVE BURRS BREAK EDGES	VOLUME 262552.78 CC
TOLERANCES:		$\frac{\Delta}{\sqrt{R}}$ ROUGHNESS \sqrt{R} UNLESS OTHERWISE SPECIFIED	WEIGHT 720.51lb
DECIMAL:	X.X ± .03		
	X.XX ± .01		
	X.XXX ± .005		

DWG BY M.DC.P.	DATE 2018-Jan-11	CHECKED BY A.S.L.	DATE 2018-Jan-11	APPROVED BY A.S.L.	DATE 2018-Jan-11	SCALE 1:3
TITLE: SPARTAN KIT SECTION 3/4" - CONTROL VALVE MODULATED WITH INSULATION VALVE WITH DRAIN						SALES
SHEET # 1 OF 1						REV. 01
DWG No SK0012						SIZE A

NO.	DATE	REVISION	BY	APP.