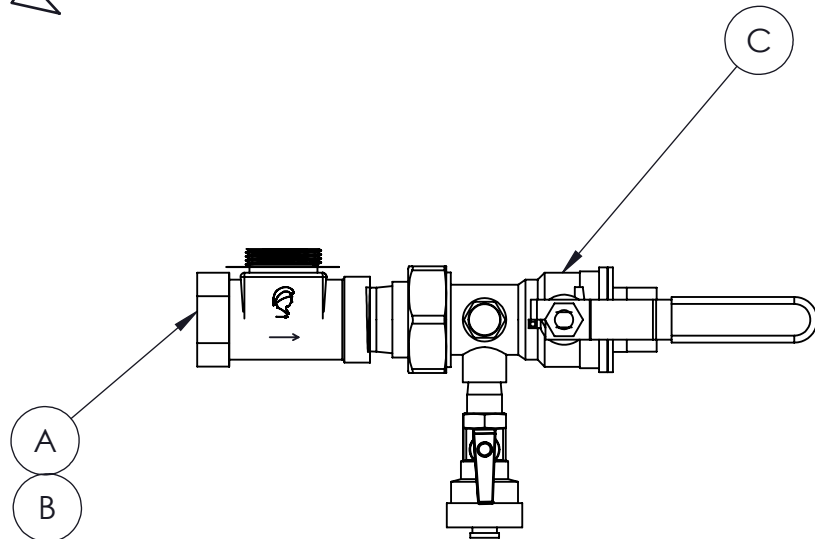
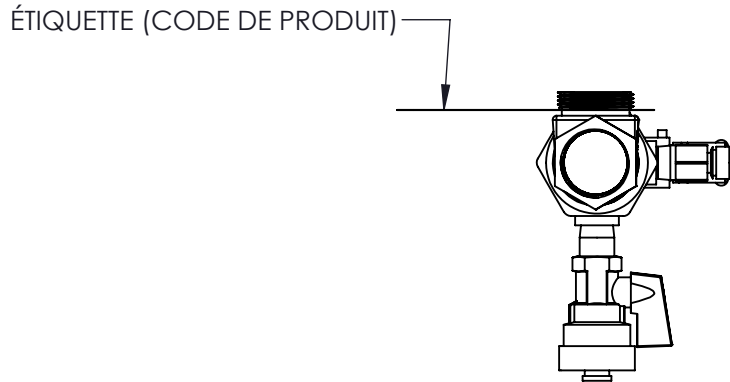
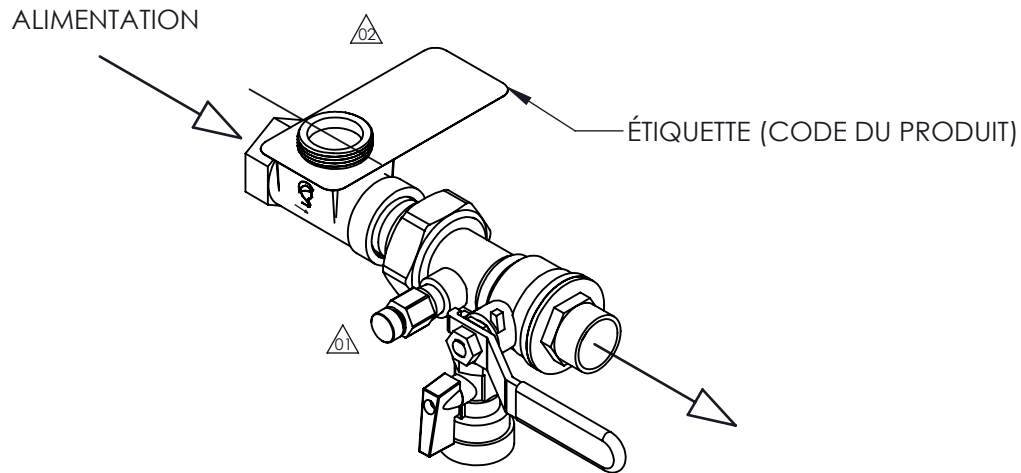


ITEM	QTY	PART No.	DESCRIPTION
A	1	V243-34N	V243-34N - 3/4" - 2 WAY- STRAIGHT- FNPT X FNPT VALVE BODY - NPT THREADS -
B	1	EB3.5	EB3.5 - REPLACEABLE HYDROBALANCED CARTRIDGE FOR HIGH CLOSEOFF FOR 1/2" AND 3/4"
C	1	-----	3/4' MNPTxFNPT- MANUAL SHUT OFF COMBINATION BALL VALVE WITH DRAIN



187 JOSEPH CARRIER, VAUDREUIL, QUEBEC.
CANADA J7V 5V5
TEL: (450) 424-6067 / FAX: (450) 424-6071
WWW.SPARTAN-PD.COM

THE DESIGN REPRESENTED IN THIS DRAWING IS THE PROPERTY OF SPARTAN P.D.
ANY REPRODUCTION IN PART OR AS A WHOLE WITHOUT THE WRITTEN PERMISSION
OF SPARTAN P.D. IS PROHIBITED.

DIMENSIONS ARE IN INCHES		REMOVE BURRS BREAK EDGES	VOLUME 193428.87 CC
TOLERANCES:		ROUGHNESS $\sqrt{\text{V}}$ UNLESS OTHERWISE SPECIFIED	WEIGHT 651.38lb
DECIMAL:	X.X ± .03		
	X.XX ± .01		
	X.XXX ± .005		

NO.	DATE	REVISION	BY	APP.
02	2021-Sept-21	Pièce ME4340 supprimée	R.K.	A.S.L.
01	2018-Mar-28	Point de prise de pression	M.DC.P	A.S.L.

DWG BY	DATE	CHECKED BY	DATE	APPROVED BY	DATE	SCALE
M.DC.P.	2018-01-11	A.S.L.	2018-01-11	A.S.L.	2018-01-11	1:3
TITLE: SPARTAN KIT SECTION 3/4"						SALES
VALVE DE CONTROLE MODULATE AVEC						SIZE
VALVE D'ISOLATION AVEC DRAIN						A
SHEET #			DWG No			REV.
1 OF 1			SK0012			02