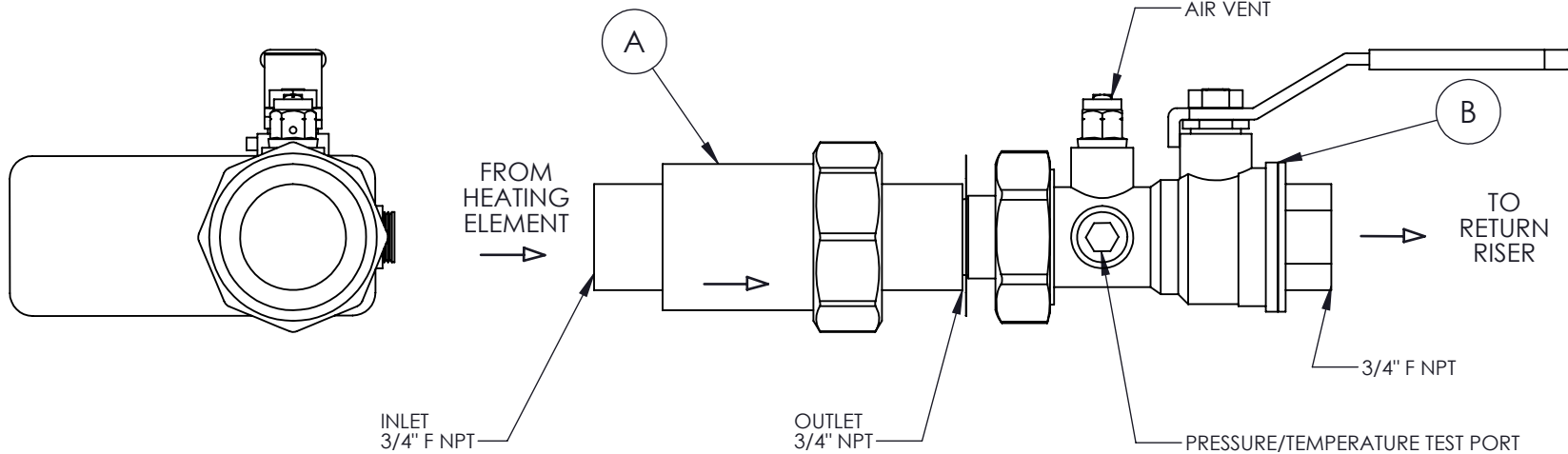
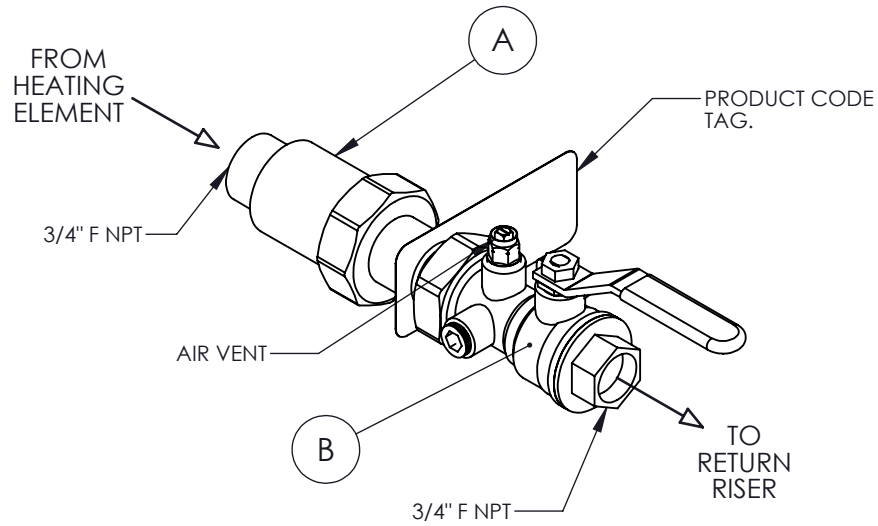


ITEM	QTY.	PART No.	DESCRIPTION
A	1	2513-1.0-63-63	3/4" FNPT (IN) 3/4" FNPT (OUT) - 1.0 GPM FLOW CONTROL- NO OPTIONS
B	1	-----	3/4" - MANUAL SHUT OFF COMBINATION BALL VALVE WITH AIR VENT



NOTES:  
-ORANGE TEFLON 10"

DIMENSIONS ARE IN MILLIMETERS		REMOVE BURRS BREAK EDGES	VOLUME 235514.25 C.C
TOLERANCES:		ROUGHNESS $\sqrt{\text{V}}$ UNLESS OTHERWISE SPECIFIED	WEIGHT 1163.75
DECIMAL:	X.X ± .76		
	X.XX ± .25		
	X.XXX ± .12		

NO.	DATE	REVISION	BY	APP.

**spartan** PERIPHERAL DEVICES  
187 JOSEPH CARRIER, VAUDREUIL, QUEBEC, CANADA J7V 5V5  
TEL: (450) 424-6067 / FAX: (450) 424-6071  
WWW.SPARTAN-PD.COM

THE DESIGN REPRESENTED IN THIS DRAWING IS THE PROPERTY OF SPARTAN P.D. ANY REPRODUCTION IN PART OR AS A WHOLE WITHOUT THE WRITTEN PERMISSION OF SPARTAN P.D. IS PROHIBITED.

DWG BY M.D.C.P.	DATE 2017-Jul-12	CHECKED BY A.S.L.	DATE 2017-Jul-12	APPROVED BY P.B.	DATE 2017-Jul-12	SCALE 1:2
TITLE: RETURN KIT SECTION 3/4" - INCLUDES; AUTOMATIC FLOW CONTROL						SALES A
SHEET # 1 OF 1			DWG No SK0011			REV. 02