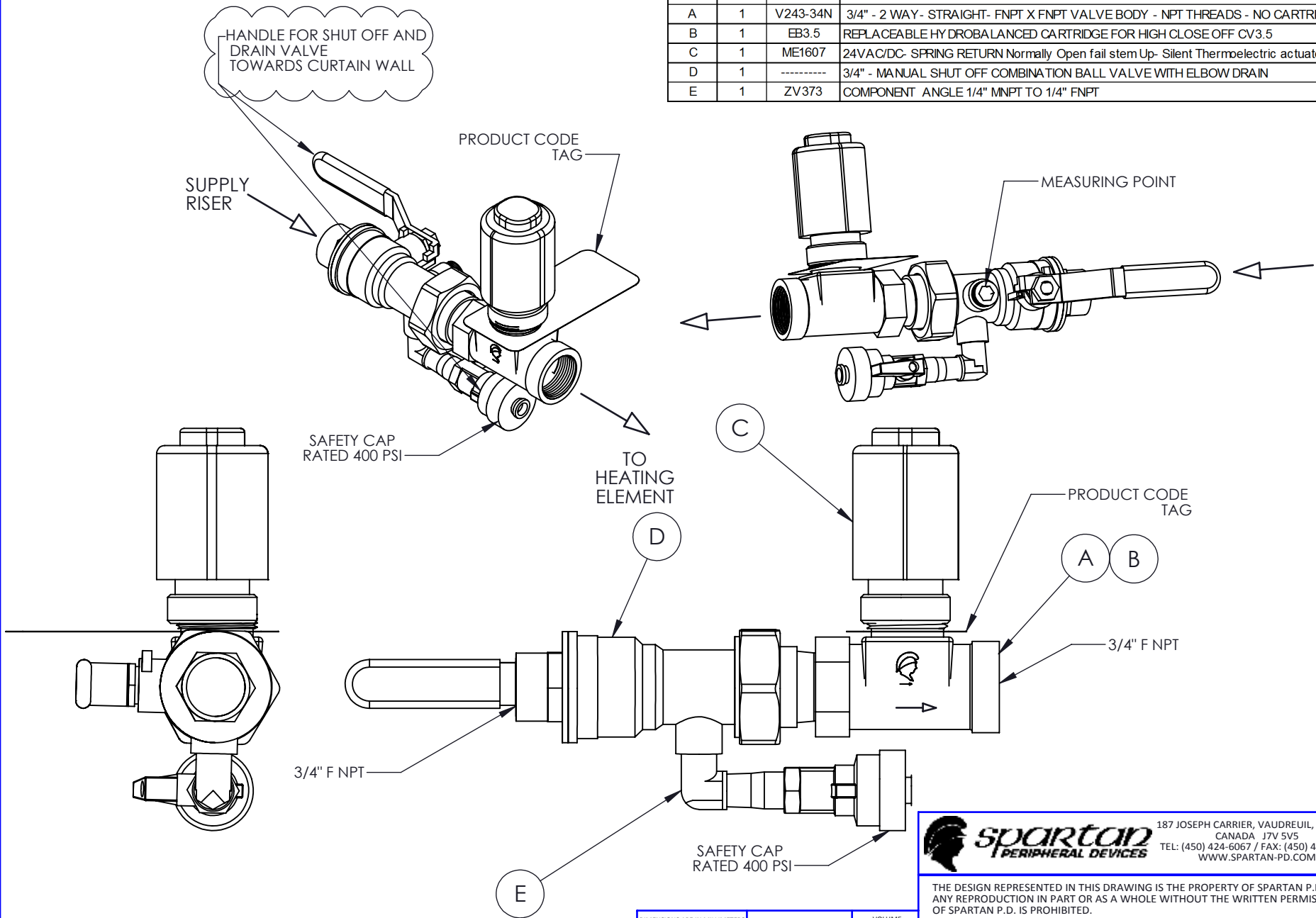


ITEM	QTY.	PART No.	DESCRIPTION
A	1	V243-34N	3/4" - 2 WAY- STRAIGHT- FNPT X FNPT VALVE BODY - NPT THREADS - NO CARTRIDGE
B	1	EB3.5	REPLACEABLE HYDROBALANCED CARTRIDGE FOR HIGH CLOSE OFF CV3.5
C	1	ME1607	24VAC/DC- SPRING RETURN Normally Open fail stem Up- Silent Thermoelectric actuator
D	1	-----	3/4" - MANUAL SHUT OFF COMBINATION BALL VALVE WITH ELBOW DRAIN
E	1	ZV373	COMPONENT ANGLE 1/4" MNPT TO 1/4" FNPT



**spartan**  
PERIPHERAL DEVICES

187 JOSEPH CARRIER, VAUDREUIL, QUEBEC.  
CANADA J7V 5V5  
TEL: (450) 424-6067 / FAX: (450) 424-6071  
WWW.SPARTAN-PD.COM

THE DESIGN REPRESENTED IN THIS DRAWING IS THE PROPERTY OF SPARTAN P.D. ANY REPRODUCTION IN PART OR AS A WHOLE WITHOUT THE WRITTEN PERMISSION OF SPARTAN P.D. IS PROHIBITED.

DWG BY	DATE	CHECKED BY	DATE	APPROVED BY	DATE	SCALE
M.Dc.P.	2017-Jul-11	A.S.L.	2017-Jul-11	P.B.	2017-Jul-11	1:2
TITLE: SUPPLY KIT SECTION 3/4"; PRE-ASSEMBLED FNP-FNP CONTROL VALVE WITH NOISELESS ACTUATOR - HYDROBALANCED FLOW CARTRIDGE - ISOLATION VALVE AND DRAIN PLUG						SALES
SHEET # 1 OF 1						REV. 02
DWG No SK0010						SIZE A

NOTES:  
-WHITE TEFLON: 5" (2x)  
-ORANGE TEFLON: 10" (1x)

DIMENSIONS ARE IN MILLIMETERS		REMOVE BURRS BREAK EDGES	VOLUME
TOLERANCES:		ROUGHNESS $\sqrt{\text{V}}$ UNLESS OTHERWISE SPECIFIED	272911.09 CC
DECIMAL:	X.X ± .76		WEIGHT
X.XX ± .25			756.58
X.XXX ± .12			

NO.	DATE	REVISION	BY	APP.
02	2017-OCT-23	CHANGED BY IKO INFORMATION	M.Dc.P.	P.B.
01	2017-JUL-13	CHANGED BY IKO INFORMATION	M.Dc.P.	P.B.

For revision details see Revision Database System