



2 WAY DOUBLE UNION
Compact motorized polymer spherical valve

These unique SVP series specialty valves are used for drinking water systems and agricultural applications. These unique floating ball valves require very low torque and can be controlled with a small compact actuator.

See Below How to Order.

TECHNICAL SPECIFICATIONS :

Media Temperature:

UPVC.....41-130°F (5 - 55°C)
CPVC.....41-193°F (5 - 90°C)

Valve Body:

Body Material: UPVC/CPVC
Valve Stem: UPVC/CPVC
Valve Sphere: UPVC/CPVC
Valve Seat: PTFE with Backup Ring
Valve Packing: Double O ring
with PTFE friction ring base
Close Off: 150psi (10 Bar)

Actuators:

- FLP - Fail Last Position
- Capacitor Return Fail Safe - minimum 1A power for 60 secs to charge the capacitor
Rated Voltage: 24V AC or 24V DC
Classification..... Class II
Power:..... Max 1000mA
Output Torque: 88in/lb (10 NM)
Housing Enclosure: NEMA 4 (IP 65)
Connection: 12" (305mm) PVC Cable
Ambient Temperature: 40°F to 120°F
..... (5°C to 50°C)
Travel Time: 6 Seconds
Noise Level: 55 dB
Position Indicator

Agency Approvals:

Conforms to CE..... EN 60730
ESC Certificate EN60534-2-3:1998
Quality Assurance System 97/23/EC
ISO9093-1-1997

**NEMA 4 / IP65
HOUSING**



Position indicator window

ACTUATORS

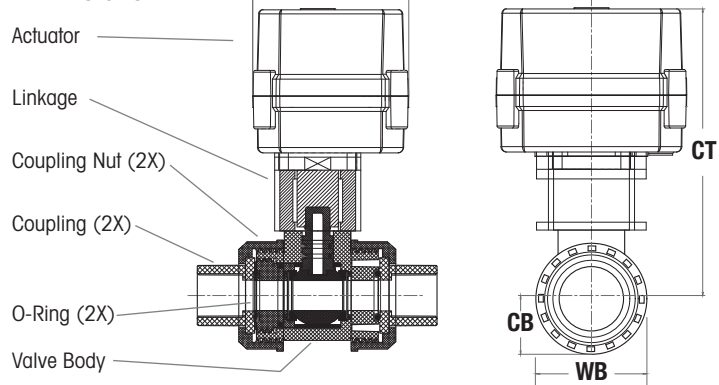
Part No:	24V DC	24V AC	Torque in/lb	Capacitor Return Fail Safe Circuit No D	FLP 2 Point Control Circuit No E	Position Indicator	Aux. Switch
MS1420*	X	X	88/133	X		X	
MS1320S/MS1420S*	X	X	88/133	X		X	X
MS1330/MS1430*	X	X	88/133		X	X	
MS1330S/MS1430S*	X	X	88/133		X	X	X

*Select MS14XX with Valve Body 1 1/4" to 2"

NOMINAL DIMENSIONS All dimensions in inches

Size	Code	Cv	P		WB	CB	CT
			NO	NC			
3/4	075	55	3.5	3	2-1/2	1-1/4	5-1/2
1	100	95	3.5	3	3	1-1/2	7-1/2
1-1/4	125	155	3.5	3	3-3/8	1-3/4	8
1-1/2	150	260	3.5	3	3-7/8	2	8-1/2
2	200	440	3.5	3	4-3/4	2-1/2	9-3/4

DIMENSIONS:



HOW TO ORDER

VALVE BODY | ACTUATOR
SVP 2 02 N 125 - MSxxxx - C

Use the code on the right to build your SVP series ball valve and actuator to your exact specification.

Note:
The installation and service should be performed by trained personnel.

Linkage POSITION:
1320S/1420S O=Fail Open, C=Fail Closed
1330S/1430S On Signal O=Open, C=Closed
MOTOR TYPE: See table
VALVE SIZE: See table
PIPING CONNECTION: N = NPT
PVC TYPE : 02 = UPVC, 05 = CPVC
VALVE BODY TYPE: 2 = 2 way
SVP: Spherical Valve Polymer