

The SV602 series 6 port ball valve is a combination valve body casting for connecting heating and cooling 4 pipe system into a single coil. It replaces 4 2-way valves and 4 actuators thus saving cost of material, installation and 2 data points. The standard ISO mounting pad allows a usage of 0-10Vdc proportional MS5320-OE. **The valve body design allows a leak free separation from a heating and cooling system and prevents mixture of return flow.**

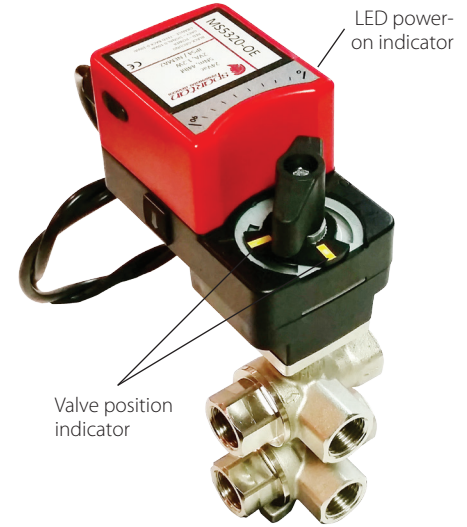
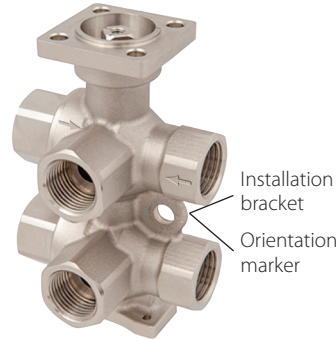
GENERAL SPECIFICATIONS :

Valve Body:

Body Material:Nickel Plated Brass
 Pressure Rating:..... Max 16 Bar - 235 PSI
 Maximum Δ Pressure:..... 50 PSI (3.50 Bar)
 Ball and Stem:..... Nickel Plated
 Stem Packing:..... EPDM
 Seat:..... Teflon® PTFE
 Characterized Disk..... Brass
 Travel:..... 30° Heat, 30° off, 30° Cooling
 Flow Characteristics:..... Linear
 Leakage:..... 0%
 Water Temp Max. 100°C (212°F), Min 5°C (45°F)

Actuator:

24VAC/DC ±15%, 50/60Hz, 0.66W
 Operating Temp. -20°C to +50°C (-4°F to +122°F)
 44in/lbs torque, IP54, sound level 42dB
MS5320-OE - modulating FLP 0/2-10VDC



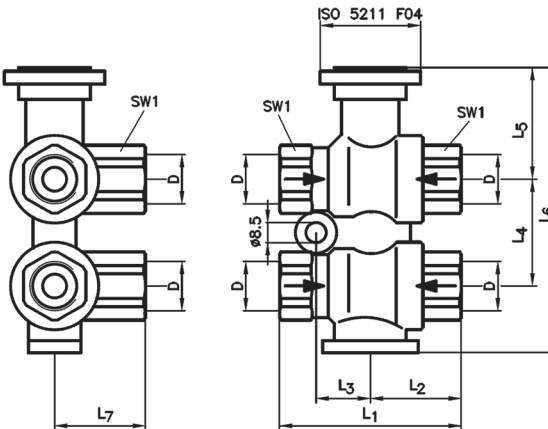
VALVE BODY DIMENSIONS AND FLOW COEFFICIENTS

Part No	Size	Cv	Kv	D	L1	L2	L3	L4	L5	L6	L7	SW1
SV602-12	1/2"	2.80	2.40	19/32 (15)	3 (76)	1 1/2 (38)	13/16 (20)	1 3/4 (45)	1 7/8 (47)	4 3/4 (120)	1 3/8 (35)	1 (26)
SV602-15	15mm											
SV602-34	3/4"	6.50	5.60	13/16 (20)	3 15/16 (100)	2 (50)	1 (26)	2 1/16 (59)	2 1/8 (54)	5 13/16 (148)	1 11/16 (43)	1 3/16 (30)
SV602-20	20mm											

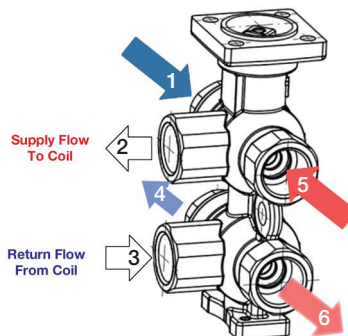
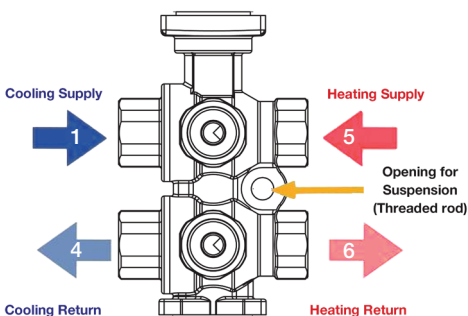
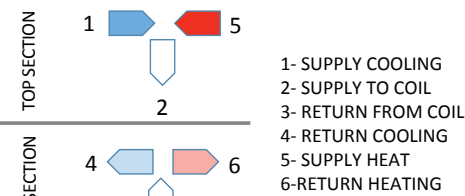
All dimensions in inches (and millimetres)

CV CODE SELECTION FOR HEATING OR COOLING INLET PORT TO BE USED IN THE PART NUMBER (First XX = inlet cooling, Second XX = inlet heating)

Code No	01	02	03	04	05	06	07	08
CV for 1/2" Valve	0.22	0.44	0.66	0.88	1.1	1.3	1.5	2.8
Code No	01	02	03	04	05	06	07	08
CV for 3/4" Valve	0.66	0.88	1.32	1.76	2.2	2.6	3.1	6.5



FLOW CHARACTERISTICS



HOW TO SPECIFY

Choose from the four options below and substitute the two XXs with a code number for your chosen CV value from the chart above. First XX = inlet cooling. Second XX = inlet heating

1/2" 6 port ball valve with 0-10VDC modulating FLP actuator.....**SV602-12-XXXX-MS5320-OE**

3/4" 6 port ball valve with 0-10VDC modulating FLP actuator.....**SV602-34-XXXX-MS5320-OE**

