

TE151 SERIES MODULATING 0-10VDC, LCD ELECTRONIC THERMOSTAT WITH SINGLE SPEED FAN SWITCH 24VAC

DESCRIPTION

Modulating proportional plus integral (P+I) 0-10 Vdc electronic room thermostat with digital display and set point adjustment. It is suitable for controlling a single speed fan as well as controlling a single heating or cooling modulating valve to maintain the room temperature. An On/ Auto Switch on the thermostat cover will switch the fan On. In Auto position, it will cycle the fan from the room temperature if reaching the set point, this cycle is for maximum energy saving. The TE151 Thermostat has a Heating/Off/Cooling switch on the thermostat cover to select heating or cooling mode. For heating only applications select TE151-1 and for cooling only applications select TE151-2. Jumper J2 set to U.S. (DA) or E.U. (RA) setting will reverse the 0-10Vdc signal. Selectable between °C and °F scales by jumper on PCB.

GENERAL SPECIFICATIONS

Operating voltage: 24Vac, 50/60Hz, +/- 20%

Operating voltage: Maximum 3Va

Control output: 0-10Vdc, 30mA

Fan Switch: 1A, 24Vac

Sensing Element: NTC Thermistor

Connection terminals: Use solid wire 22 AWG to 14 AWG

Digital Display: Temperature in °C or °F, set point, heating or cooling output

Set point range: 40-95°F in 1°F resolution
5-35°C in 0.5°C resolution

Operating temperature:
32-122 °F or 0-50 °C, < 95% RH

Housing cover/base color: Cover white, base grey

Wall mounting plate: Color white, mounting holes for European and North American standards, fits 2 x 4 electric box

Optional: External 10K NTC type 3 thermistor

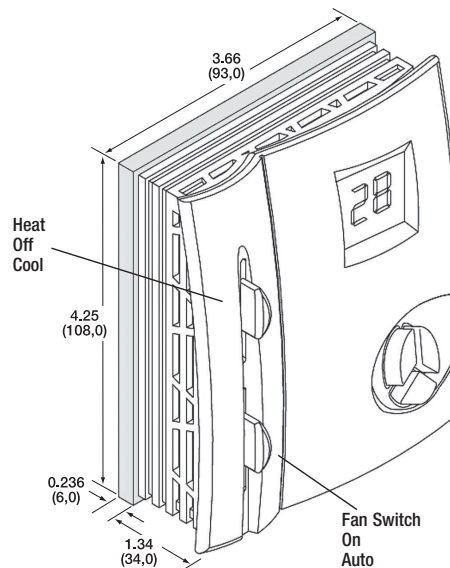
Shipping weight: 0.5Lbs (0.225 Kg)

Agency approval: Conforms to CE/ROHS requirements Class 2 as per UL/CSA



TE151-1
TE151-2

TE151



Changing the Set Point

To change set point use the increase or decrease keys. LCD display will illuminate after pressing hand key.

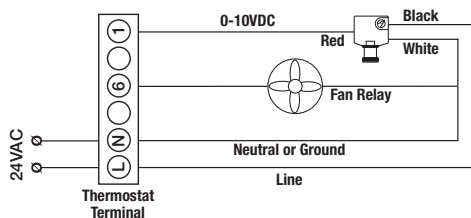
When the thermostat is in heating mode a thermometer will appear in the display. It will flash when there is a demand for heat.

When the thermostat is in cooling mode a snow flake will appear in the display. It will flash when there is a demand for cooling.

On Power Failure

The set-point will return to the factory default setting 75°F/24°C.

WIRING DIAGRAMS

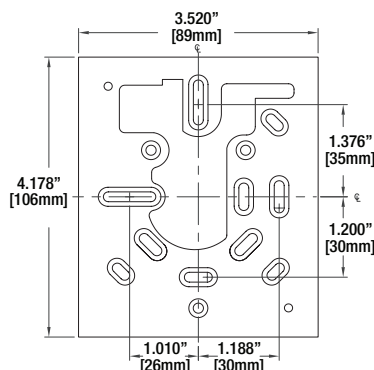


Installation:

Thermostats can be installed on a standard 20-20 2X4 electric box, or directly on the flat wall surface, and away from the heat source.

Do not expose to water. This product must not be used outside of the specified applications. Installation should only be carried out by a licensed and trained installer. All local regulations and codes must be followed, and complied with, during the installation of this product.

MOUNTING DIMENSIONS



COVER REMOVAL

To remove the cover simply remove the screws at the bottom of the unit with a screwdriver (1 and 2). The cover then is removed by pulling it out and then up (3 and 4).

