

### TE112H ROOM OR DUCT TYPE 2 STAGE HIGH TEMPERATURE RANGE 2 POSITION ON/OFF LCD ELECTRONIC 24V THERMOSTAT

#### DESCRIPTION

Two stage two position ON/OFF electronic thermostat with digital set-point and display with high temperature range 40 - 130°F (5 - 55°C), can be used as a room controller with internal sensor, or as a duct thermostat with an optional external 10K sensor.

Suitable to control two stage heating or cooling devices with selectable span and differential setting (see instruction sheet) to suit the most demanding applications. Set point can be limited to a narrow range by the use of jumper no 3.

#### GENERAL SPECIFICATIONS

**Operating voltage:** 24Vac, 50/60Hz, +/- 20%, maximum 3Va

**Control output:** 24Vac, 24Amp

**Switching:** 1 °F (0.5 °C)

**Sensing Element:** NTC Thermistor

**Connection terminals:** Use solid wire 22 AWG to 14 AWG

**Digital Display:** Temperature and set point in °C or °F, will show flashing icon on heating demand

**Temp. control range:** 40-130°F, (5-55°C)

**Temperature display:** 32-140 °F, (0-60 °C)

**Operating temperature:**

32-104 °F or 0-40 °C, < 95% RH

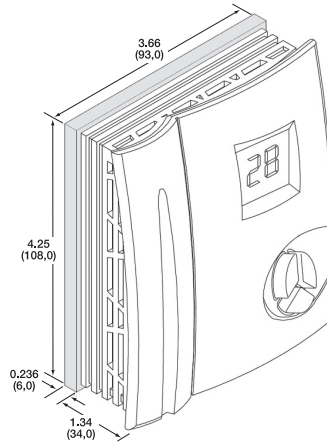
**Housing cover/base color:** Cover white, base grey

**Wall mounting plate:** Color white, mounting holes for European and North American standards, fits 2 x 4 electric box

**Optional:** External 10K NTC type 3 thermistor

**Shipping weight:** 0.5Lbs (0.225 Kg)

**Agency approval:** Conforms to CE/ROHS requirements Class 2 as per UL/CSA



Quality, affordable electronic room thermostat with digital display from Spartan

#### Changing the Set Point

To change set point use the increase or decrease keys. LCD display will illuminate after pressing hand key for 10 seconds.

#### Output icon

- Stage 1 heating is turned on, LCD displays icon
- Stage 2 heating is turned on, icon will be flashing
- All output is off, no icon will be shown

#### On Power Failure

After power is restored, the set-point will return to the last setting.

#### DIP SWITCHES

Internal DIP switches selects the following features

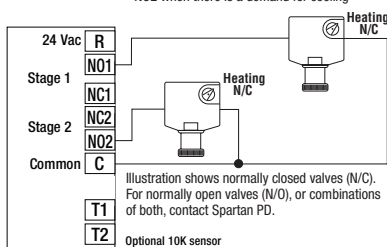


Pole	OFF	ON
1	°C	°F
2	Internal sensor	External sensor
3	Limited temperature range	Normal temperature range
4	Span selection	Span selection
5		
6	Switch Differential selection	Switch Differential selection
7		

#### WIRING DIAGRAMS

##### Discharge Air or Room Control for Control Valves

24Vac power is on terminal NO1 when there is a demand for heating and on terminal NO2 when there is a demand for cooling

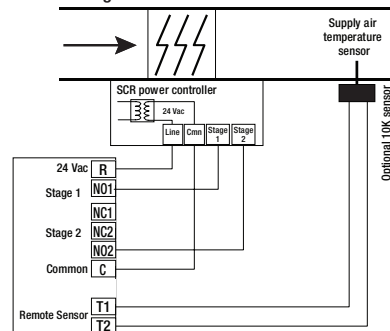


#### Installation:

Thermostats can be installed on a standard 20-20 2X4 electric box, or directly on the flat wall surface, and away from the heat source.

**Do not expose to water.** This product must not be used outside of the specified applications. Installation should only be carried out by a licensed and trained installer. All local regulations and codes must be followed, and complied with, during the installation of this product.

##### Discharge Air or Room Control of Electric Heating



#### MOUNTING DIMENSIONS

