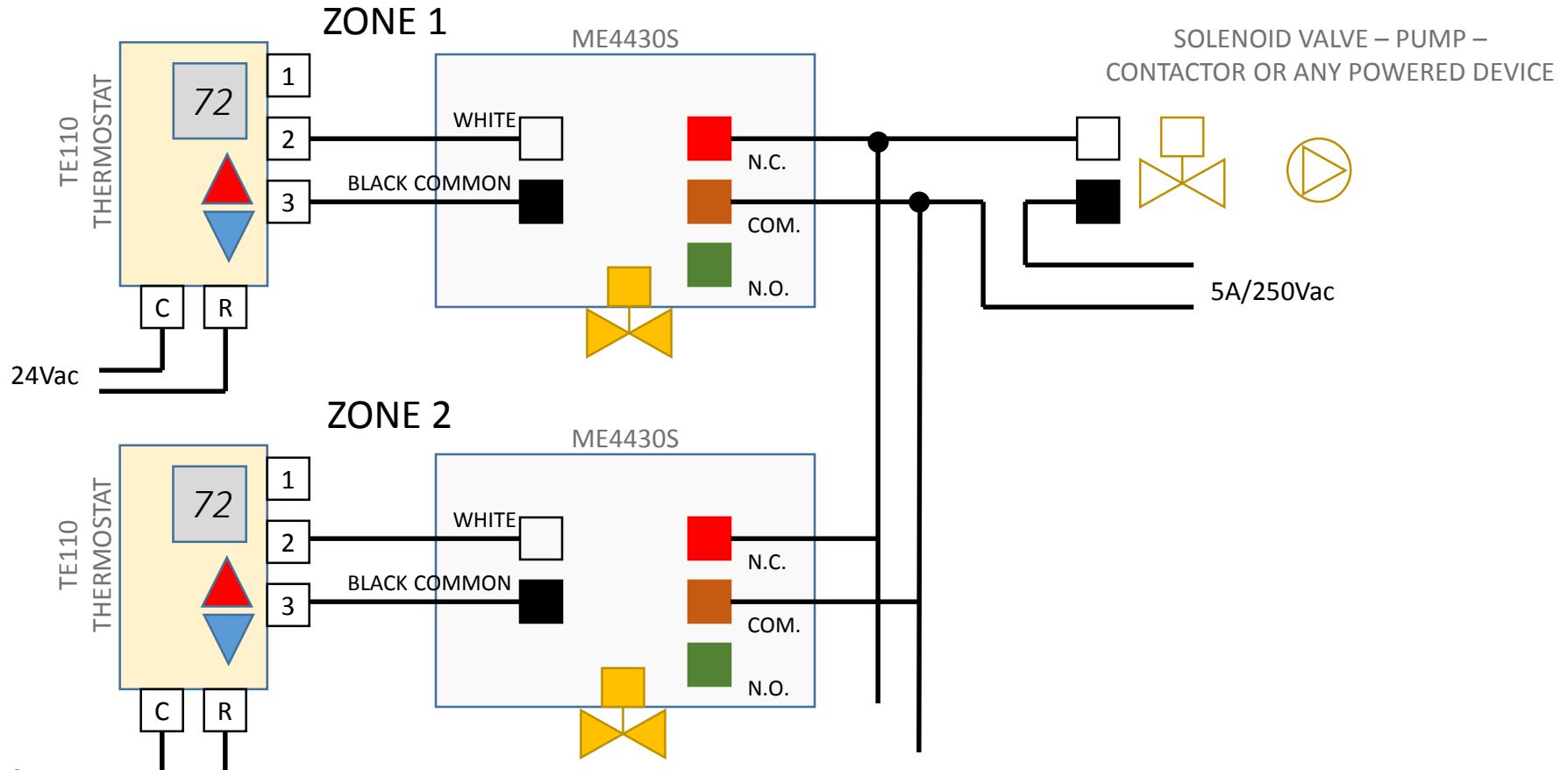
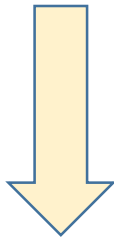


Using an actuator with an end-switch to drive a pump or solenoid valve



ZONE X



Sequence of operation:

1. On demand for heat the output of the TE110 will provide 0Vac
2. The ME4430S will stroke open to allow heat
3. The switch at the actuator will CLOSE when fully open
4. The equipment connected to the switch will be powered.